



**Cambridge International Examinations**  
International General Certificate of Secondary Education

CANDIDATE  
NAME

CENTRE  
NUMBER

--	--	--	--	--

CANDIDATE  
NUMBER

--	--	--	--

\* 2 4 0 0 9 4 3 2 4 8 \*

**CAMBRIDGE INTERNATIONAL MATHEMATICS**

**0607/12**

Paper 1 (Core)

**May/June 2014**

**45 minutes**

Candidates answer on the Question Paper.

Additional Materials: Geometrical Instruments

**READ THESE INSTRUCTIONS FIRST**

Write your Centre number, candidate number and name on all the work you hand in.

Write in dark blue or black pen.

Do not use staples, paper clips, glue or correction fluid.

You may use an HB pencil for any diagrams or graphs.

**DO NOT WRITE IN ANY BARCODES.**

Answer **all** the questions.

**CALCULATORS MUST NOT BE USED IN THIS PAPER.**

All answers should be given in their simplest form.

You must show all the relevant working to gain full marks and you will be given marks for correct methods even if your answer is incorrect.

The number of marks is given in brackets [ ] at the end of each question or part question.

The total number of marks for this paper is 40.

This document consists of **11** printed pages and **1** blank page.

**Formula List**

Area, $A$ , of triangle, base $b$ , height $h$ .	$A = \frac{1}{2}bh$
Area, $A$ , of circle, radius $r$ .	$A = \pi r^2$
Circumference, $C$ , of circle, radius $r$ .	$C = 2\pi r$
Curved surface area, $A$ , of cylinder of radius $r$ , height $h$ .	$A = 2\pi rh$
Curved surface area, $A$ , of cone of radius $r$ , sloping edge $l$ .	$A = \pi rl$
Curved surface area, $A$ , of sphere of radius $r$ .	$A = 4\pi r^2$
Volume, $V$ , of prism, cross-sectional area $A$ , length $l$ .	$V = Al$
Volume, $V$ , of pyramid, base area $A$ , height $h$ .	$V = \frac{1}{3}Ah$
Volume, $V$ , of cylinder of radius $r$ , height $h$ .	$V = \pi r^2 h$
Volume, $V$ , of cone of radius $r$ , height $h$ .	$V = \frac{1}{3}\pi r^2 h$
Volume, $V$ , of sphere of radius $r$ .	$V = \frac{4}{3}\pi r^3$

- 1 (a) Write  $\frac{7}{10}$  as a percentage.

Answer (a) ..... % [1]

- (b) Work out.

$$4 \times 5 - 6 \div 2$$

Answer (b) ..... [2]

- (c) Write down the prime number in this list.

21      23      25      27

Answer (c) ..... [1]

- (d) Write 307 000 in standard form.

Answer (d) ..... [1]

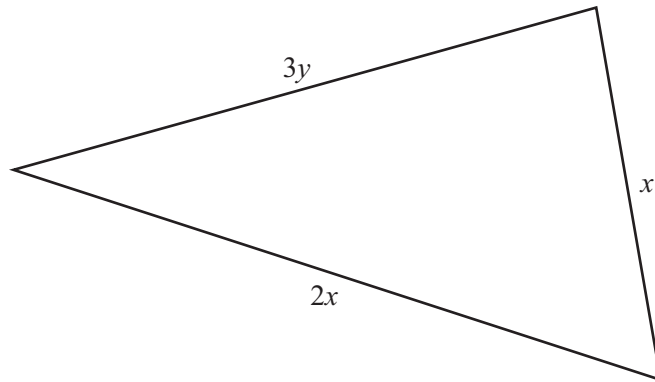
- 2 Jane chooses a sweet at random from a bag containing 7 mints and 7 toffees.

Choose one term from the list to best describe the probability that Jane chooses a mint.

<i>Impossible</i>	<i>Unlikely</i>	<i>50:50</i>	<i>Likely</i>	<i>Certain</i>
-------------------	-----------------	--------------	---------------	----------------

Answer ..... [1]

3

NOT TO  
SCALE

- (a) Write down an expression in  $x$  and  $y$  for the perimeter of the triangle. Simplify your answer.

Answer (a) ..... [2]

- (b) Using your answer to part (a) find the perimeter when  $x = 4$  and  $y = 2$ .

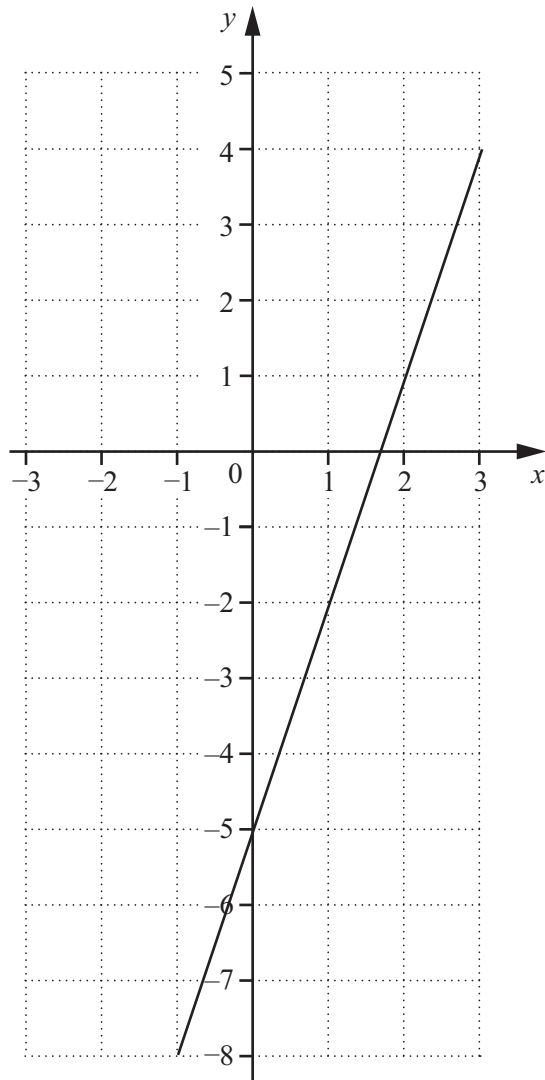
Answer (b) ..... [2]

- 4 Work out the upper quartile and the lower quartile of this list of numbers.

**1    10    4    6    7    6    9    10    9    9**

Answer Upper Quartile .....

Lower Quartile ..... [2]



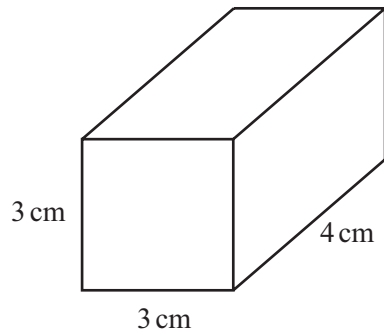
The diagram shows the line  $y = 3x - 5$ .

(a) On the same diagram, draw the line  $y = -2$ . [1]

(b) Write down the co-ordinates of the point of intersection of the lines  $y = 3x - 5$  and  $y = -2$ .

Answer (b) ( ..... , ..... ) [1]

6 A cuboid measures 3 cm by 4 cm by 3 cm.



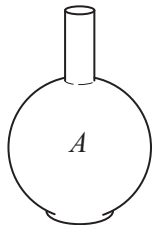
NOT TO SCALE

Find the volume of the cuboid.  
Give the units of your answer.

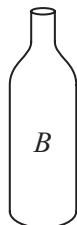
Answer ..... [3]

---

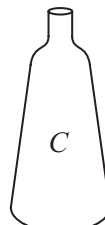
7



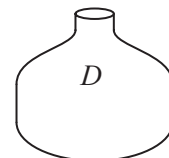
70 centilitres



0.45 litres



80 cubic centimetres



100 millilitres

NOT TO SCALE

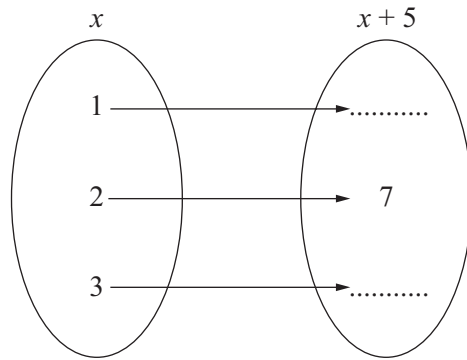
The volume of each of four containers is shown above.

List the containers in order of size, starting with the smallest.

Answer ..... [2]  
*smallest*

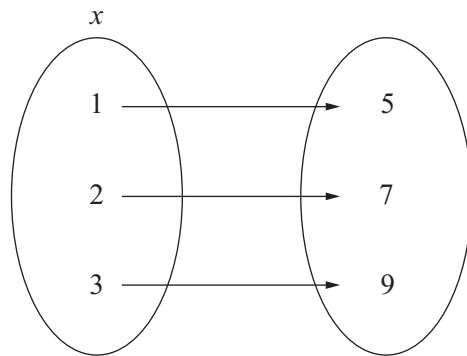
---

- 8 (a) Complete the mapping diagram for the function  $f : x \mapsto x + 5$ .



[2]

- (b) Here is a different mapping diagram.



For this mapping diagram complete the statement  $f : x \mapsto \dots\dots\dots$

[2]

9 Work out, giving your answer as a fraction in its lowest terms.

(a)  $\frac{3}{8} + \frac{2}{3}$

Answer (a) ..... [2]

(b)  $\frac{3}{8} \times \frac{2}{3}$

Answer (b) ..... [2]

(c)  $3\frac{3}{8} - 1\frac{2}{3}$

Answer (c) ..... [3]

---



10 (a) Factorise completely.

$$7pq + 14p - 7pt$$

Answer (a) ..... [2]

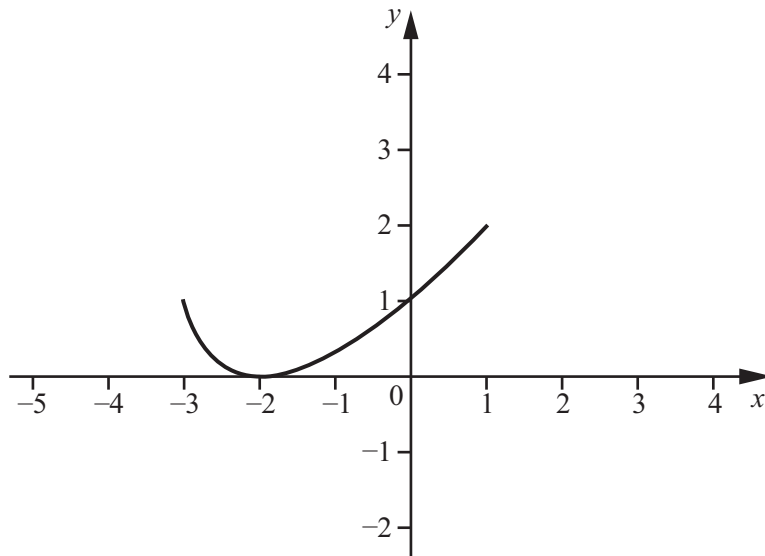
(b) Expand the brackets and simplify.

$$10(b - 3a) - 2(a + b)$$

Answer (b) ..... [2]

---

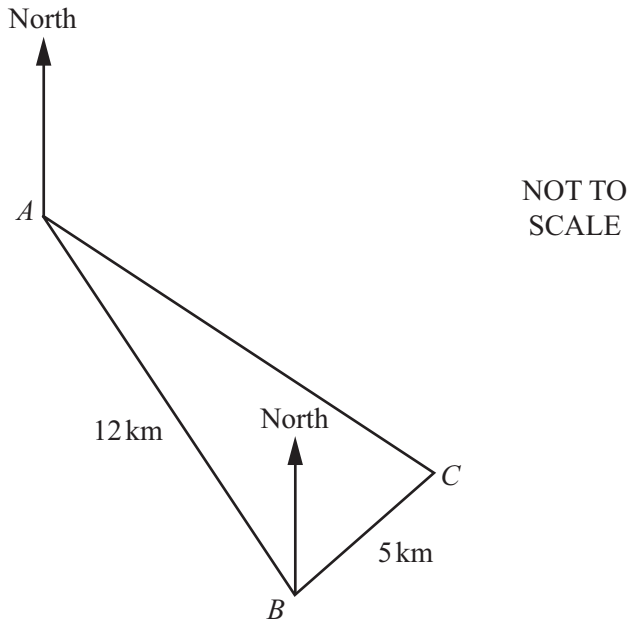
11 The diagram shows the graph of  $y = f(x)$  for  $-3 \leq x \leq 1$ .



On the diagram sketch the graph of  $y = f(x - 2)$ .

[2]

- 12 A boat sails for 12 km from  $A$  to  $B$  on a bearing of  $120^\circ$ .  
 The boat changes direction and sails for 5 km on a bearing of  $030^\circ$  to  $C$ .



- (a) Write down the bearing of  $A$  from  $B$ .

Answer (a) ..... [1]

- (b) Work out the distance  $AC$ .

Answer (b) ..... km [3]

**BLANK PAGE**

---

Permission to reproduce items where third-party owned material protected by copyright is included has been sought and cleared where possible. Every reasonable effort has been made by the publisher (UCLES) to trace copyright holders, but if any items requiring clearance have unwittingly been included, the publisher will be pleased to make amends at the earliest possible opportunity.

Cambridge International Examinations is part of the Cambridge Assessment Group. Cambridge Assessment is the brand name of University of Cambridge Local Examinations Syndicate (UCLES), which is itself a department of the University of Cambridge.